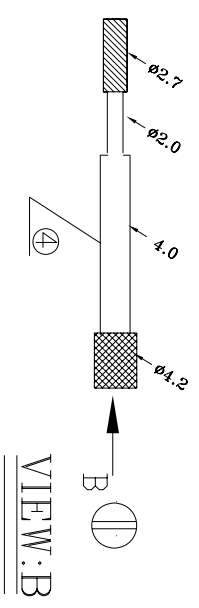
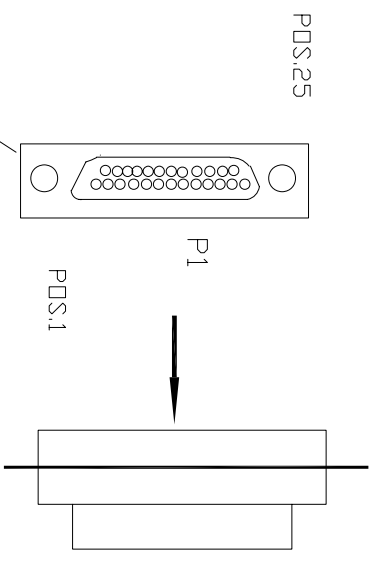
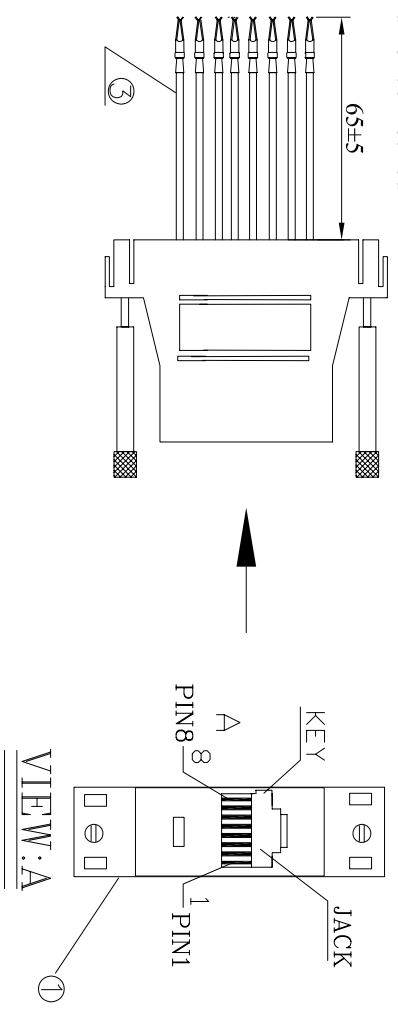


Signature	Revision History	Date	Rev.
N.XU	For Bulk Production	Nov.07/07	01

the pin should not be inserted



CONFIGURATION:	
RJ45	DB25F
1	BLUE
2	ORANGE
3	BLACK
4	RED
5	GREEN
6	YELLOW
7	BROWN
8	WHITE

NOTES:

- 1. R0HS COMPLIANT
- 2. CONNECTOR DB 25F PIN GOLD PLATED 3U" INSULATION: BLACK
- 3. WIRE UL1061 #26*8C
- 4. SCREW: #4-40UNC 5*51MM

Drawn by	Nov.07,07	Name	N.XU
Checked by	Nov.07,07		T.Aufemann
Approved by			

Part No.	AT-23055
Title.	DB25F TO RJ45JACK

ASSMANN
Electronic GmbH

Scale	N/A	Sheet	1/1
Unit	MM		

STR80042

1	2	3	4	5	6	7
H	G	F	E	D	C	B